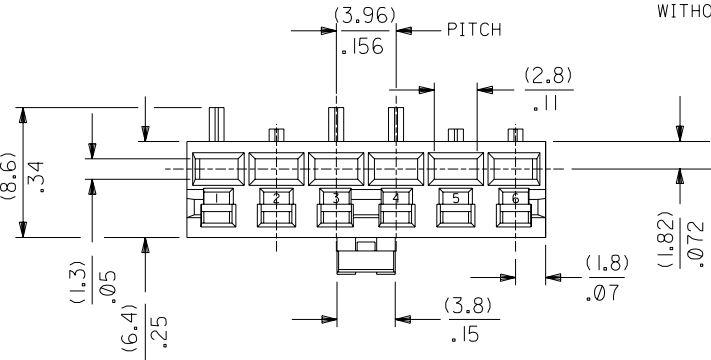
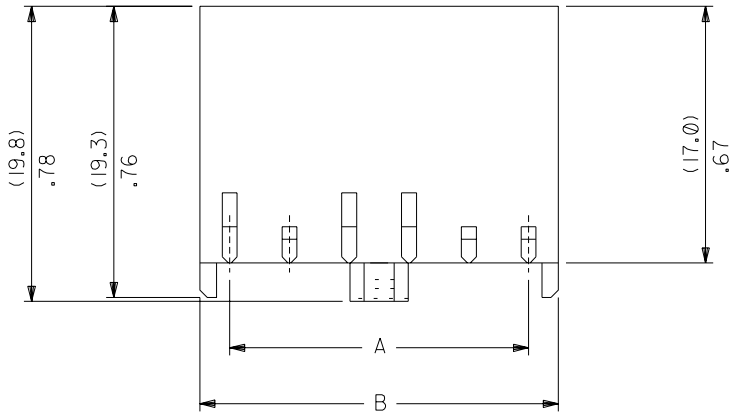
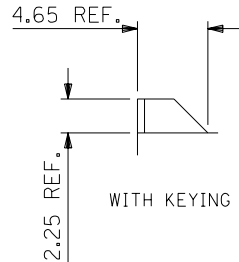


PART NO. SEE CHART
 DWG. NO. SD-90331-001



WITHOUT KEYING



WITH KEYING

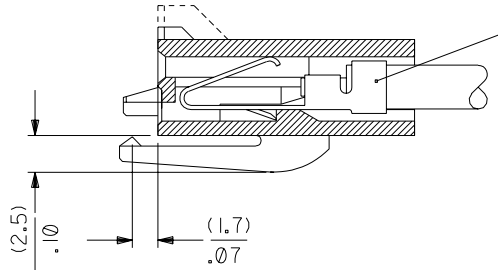
PART NO.	KEYING REQD. AT CIRCUIT POSITIONS						DIM. A	DIM. B	MIDDLE LOCKING PEG	CKT. SIZE
	1	2	3	4	5	6				
90331-**01	YES	YES	YES	YES	YES	YES	19.81±0.13	23.67±0.13	YES	6
90331-**02	YES	NO	NO	NO	NO	NO	19.81±0.13	23.67±0.13	YES	6
90331-**03	NO	NO	NO	YES	NO	NO	19.81±0.13	23.67±0.13	YES	6
90331-**04	YES	NO	YES	YES	NO	NO	19.81±0.13	23.67±0.13	YES	6
90331-**05	YES	YES	—	—	—	—	3.96±0.10	7.82±0.10	NO	2
90331-**06	NO	NO	NO	NO	NO	NO	19.81±0.13	23.67±0.13	NO	6
90331-**07	NO	YES	NO	NO	NO	NO	19.81±0.13	23.67±0.13	YES	6
90331-**08	NO	NO	YES	NO	NO	NO	19.81±0.13	23.67±0.13	YES	6
90331-**09	NO	NO	NO	NO	YES	NO	19.81±0.13	23.67±0.13	YES	6
90331-**10	NO	NO	NO	NO	NO	YES	19.81±0.13	23.67±0.13	YES	6

LEGEND :

90331- * * 0 *

COLOUR — 0=NATURAL
 1=BLACK (AVAILABLE IN NYLON ONLY)

MATERIAL— 0=POLYESTER 94 V0-NATURAL(WHITE)
 1=NYLON 6/6 UL 94 V0-NATURAL(WHITE) OR BLACK
 4=NYLON 6/6 UL 94 V2-NATURAL OR BLACK



PART NO. 08-50-0277
 MATERIAL: PRE-TIN BRASS
 PLATING TO P902 CODE PER ES-88 SPECIFICATION.

- NOTES :**
- HOUSING MATERIAL: SEE LEGEND. NYLON OPTIONS ARE FOR TAIWAN PRODUCTION ONLY.
 - FOR USE WITH 8993 SERIES TERMINAL.
 - KEY IS OPTIONAL. PLS SEE TABLE FOR P/N.
 - FOR ILLUSTRATION PURPOSE, 90331-**04 IS SHOWN
 - PRODUCT SPECIFICATION: PS-90331

CHANGED PLATING CODES EC NO. E2004-0036 DRWN: PSHEAHAN 03/07/14 CHK: / / / APPR: / / /	QUALITY SYMBOLS MAJOR = 0 CRITICAL = 0	GENERAL TOLERANCES: (UNLESS SPECIFIED)		SCALE	DESIGN UNITS <input checked="" type="checkbox"/> mm <input type="checkbox"/> INCH	THIRD ANGLE PROJECTION	DIMENSIONS: <input checked="" type="checkbox"/> mm <input type="checkbox"/> INCH <input type="checkbox"/> mm ONLY	SHT	REV
		4 PLACES ±0. ±.	3 PLACES ±0. ±.005	2 PLACES ±0.13 ±.010	1 PLACE ±0.25 ±.	ANGULAR: ± °	DRAWN BY & DATE FM 94/02/21	CHECKED BY & DATE	APPROVED BY & DATE
REV	DESCRIPTION	DRAFT WHERE APPLICABLE MUST REMAIN WITHIN DIMENSIONS		CAD FILENAME S90331EX2.DGN	MATERIAL NO. SEE CHART	DRAWING NO. SD-90331-001	SHEET NO. 2 OF 2	MOLEX INCORPORATED	
				THIS DRAWING CONTAINS INFORMATION THAT IS PROPRIETARY TO MOLEX INCORPORATED AND SHOULD NOT BE USED WITHOUT WRITTEN PERMISSION.					